

CRUZE

pleated and cellular



FIT *to* FRAME

Adhesive Tape Mounting - CZP10

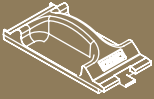
YOU SHOULD HAVE



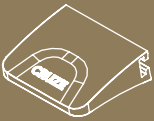
Blind



Side guides



Multi-tool



Handles



Adhesive brackets

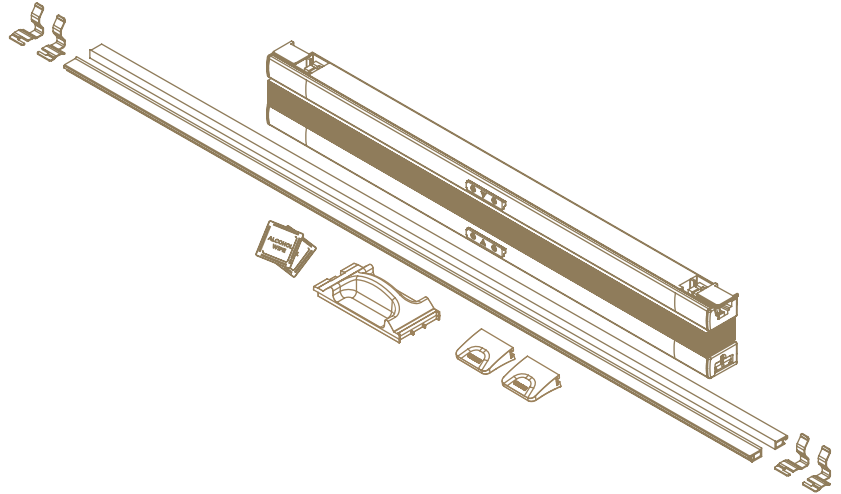


Alcohol wipe

THE INSTALLATION OF THIS PRODUCT SHOULD BE CONDUCTED BY SOMEONE COMPETENT IN DIY.

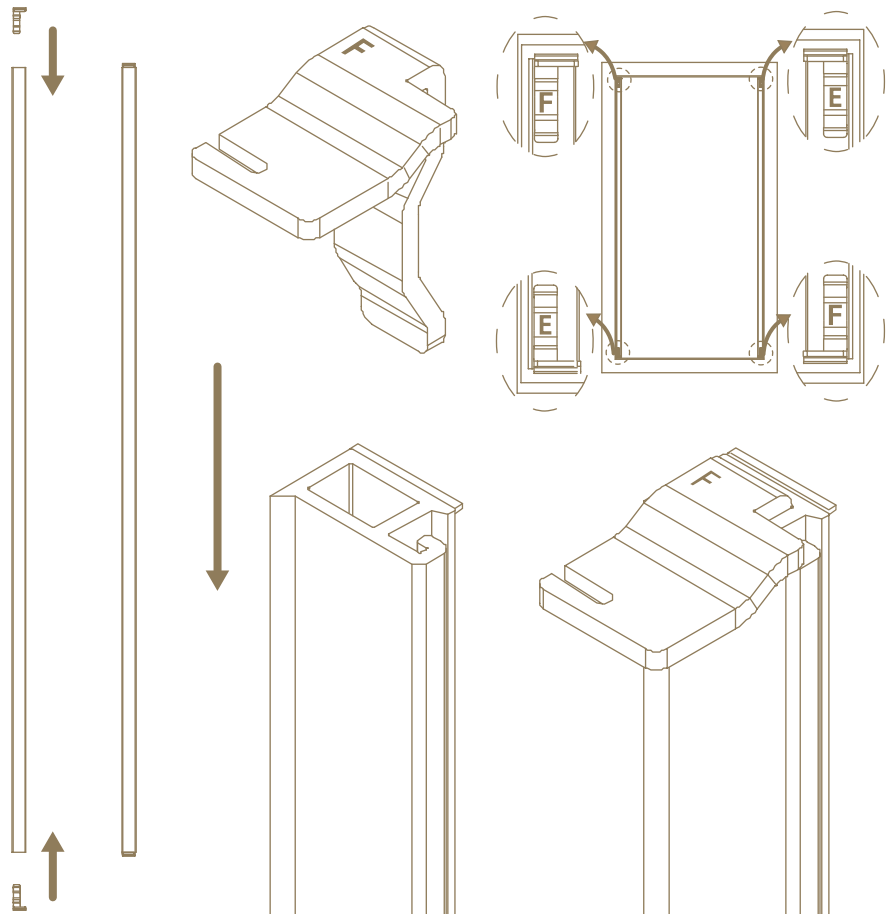
STEP 1

Remove contents from the packaging and lay out.



STEP 2

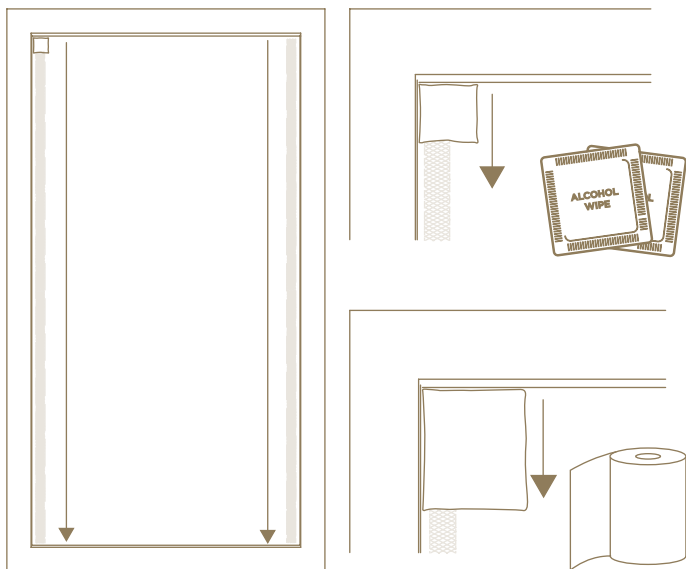
Place adhesive brackets in the side guides as shown.



CHILDREN CAN STRANGLE IF A SAFETY DEVICE IS NOT INSTALLED. ALWAYS USE A SAFETY DEVICE TO KEEP CORDS AND CHAINS OUT OF REACH OF CHILDREN

STEP 3

Using the alcohol wipe provided, clean the area of the window glass in which the adhesive side guides will be placed and dry using a paper towel.



STEP 4

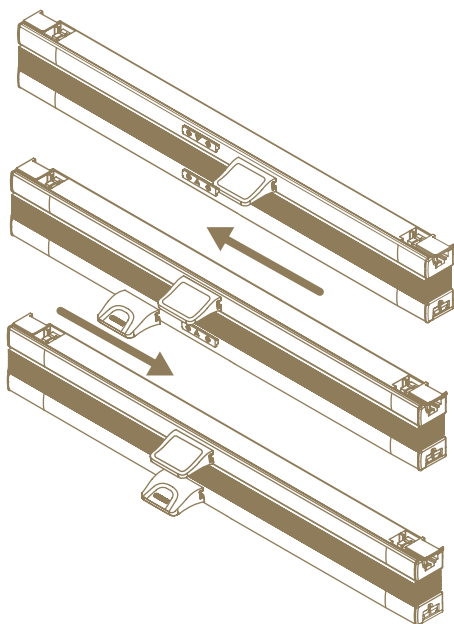
Peel off the protective layer on the adhesive strip located on the back of the side guide and apply to the window glass as shown.



STEP 5

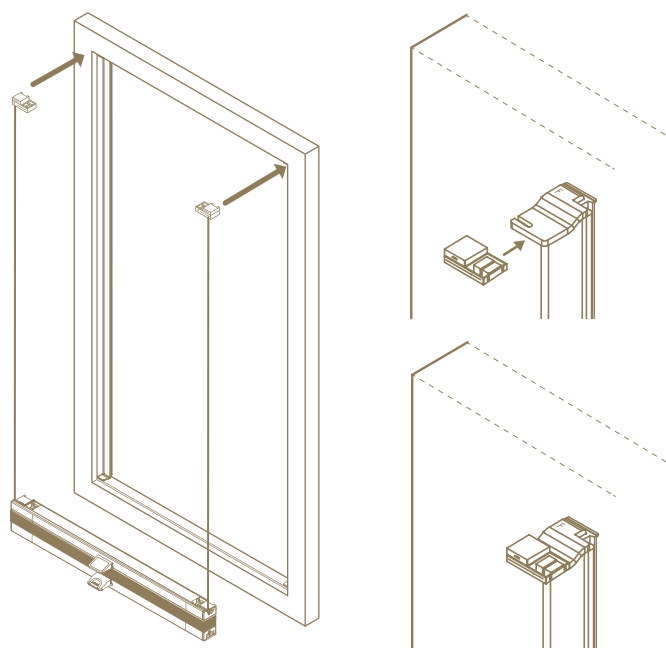
When attaching the handles, push flush with the headrail and slide until it has covered the screw block.

NOTE: Cruze logos need to face the same direction as the arrows on the screw blocks.



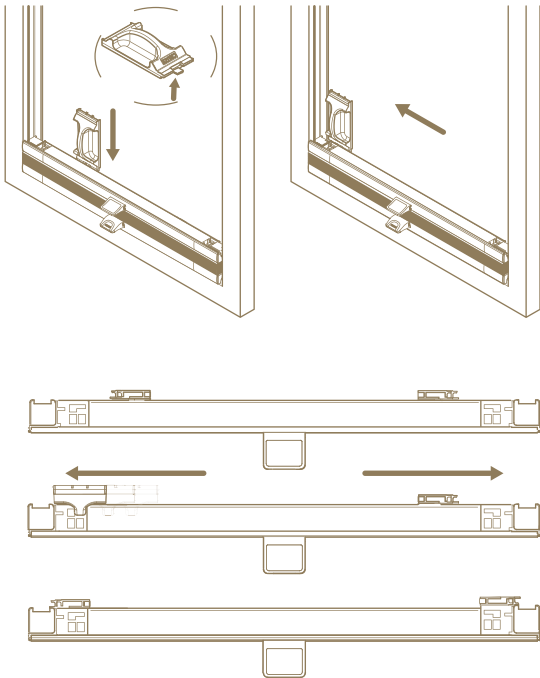
STEP 6

Take the top left and right cord end caps as shown and place them over the adhesive brackets.



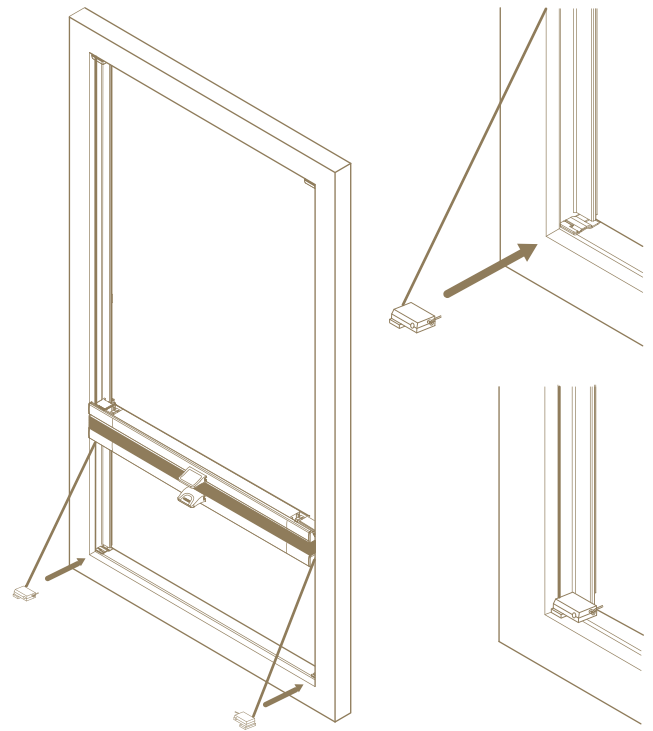
STEP 7

For the top rail, using the multi-tool, push the step profile end into the side clip and push towards the side guide until a click is heard.



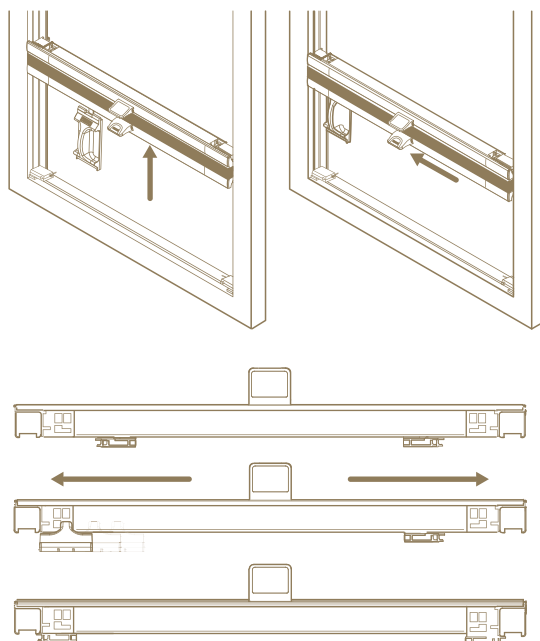
STEP 8

Push the bottom cord end caps over the lower beading brackets.

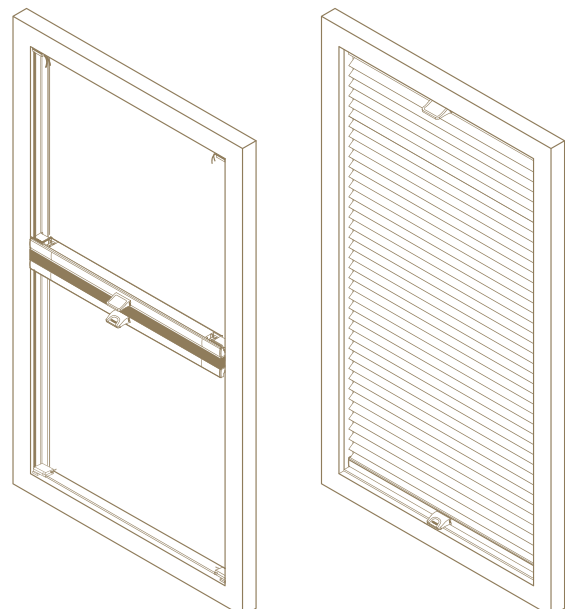


STEP 9

For the bottom rail, using the multi-tool again, push the step profile end into the side clip and push towards the side guide until a click is heard.



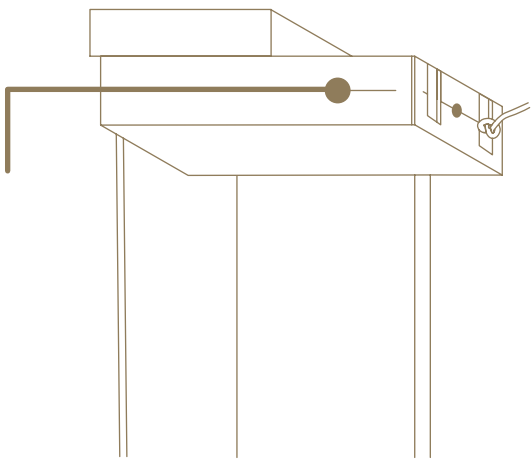
Blind is ready to use.



CORD RE-TENSIONING

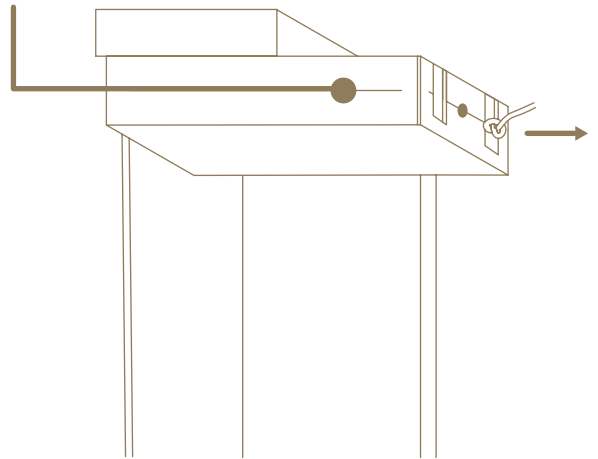
STEP 1

Grab the end of the cord and loosen grub screw from the front using 1.5mm Allen key.



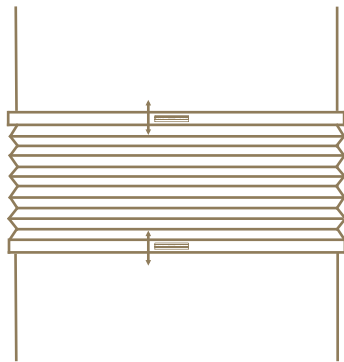
STEP 2

Pull the cord to required tension and tighten the screw back again until cord is secured.



PLEASE READ THE INSTRUCTIONS BEFORE OPERATING THIS PRODUCT

OPERATION



To raise blind: Lift handle upwards until the blind reaches desired height.

To lower blind: Pull handle downward until blind reaches desired height.

MAINTENANCE

The product is maintenance free however we recommend that regular visual checks are completed to ensure that no components have been damaged, which could result in operating difficulties and/or cause a safety risk.

If any maintenance is required we recommend that the work is carried out immediately, by a reputable blind company.

We recommend opening and closing your blind regularly to maintain the pleats in the fabric. Recommended that pleated blinds should be stacked overnight, at least once a week to maintain their pleat and shape.

CLEANING

To prevent blinds from becoming dirty, the blinds should be cleaned regularly with a feather duster.

PATENT

European Patent No 39924411.

INSTALLATION VIDEO

Scan QR for installation video.



make it safeTM

BBSA[®]
BRITISH BLIND & SHUTTER ASSOCIATION

WARNING

Young children can be strangled by loops in pull cords, chains, tapes and inner cords that operate the product.

To avoid strangulation and entanglement, keep cords out of the reach of young children. Cords may become wrapped around a child's neck. Move beds, cots and furniture away from window covering cords.

Do not tie cords together. Make sure cords do not twist and create a loop.

