

CRUZE

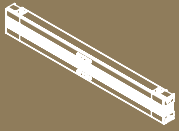
pleated and cellular



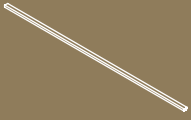
FIT *to* FRAME

Glass Mount Beading - CZP09

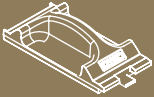
YOU SHOULD HAVE



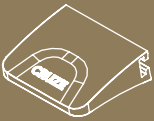
Blind



Side guides



Multi-tool



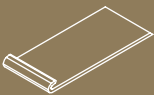
Handles



Fixing bracket



Side guides
bracket

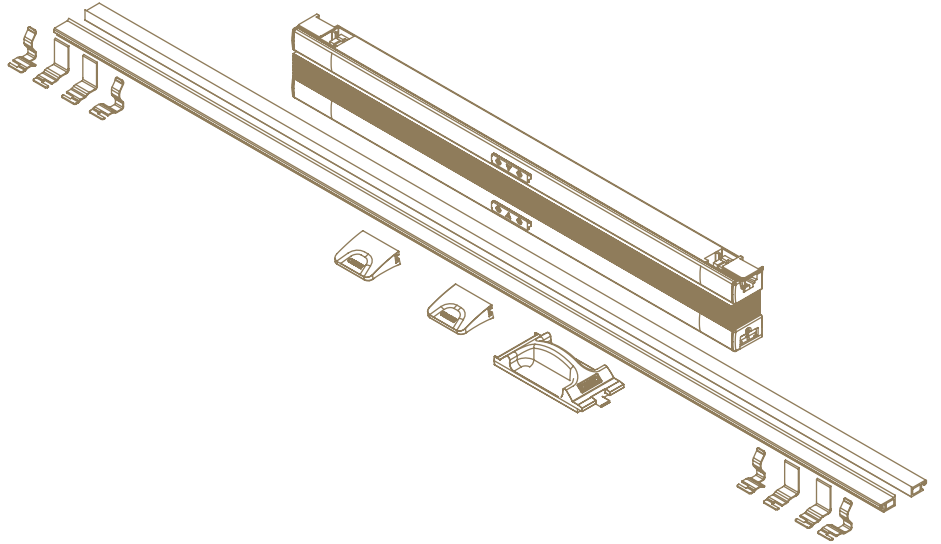


Side guide
clips

THE INSTALLATION OF THIS PRODUCT SHOULD BE CONDUCTED BY SOMEONE COMPETENT IN DIY.

STEP 1

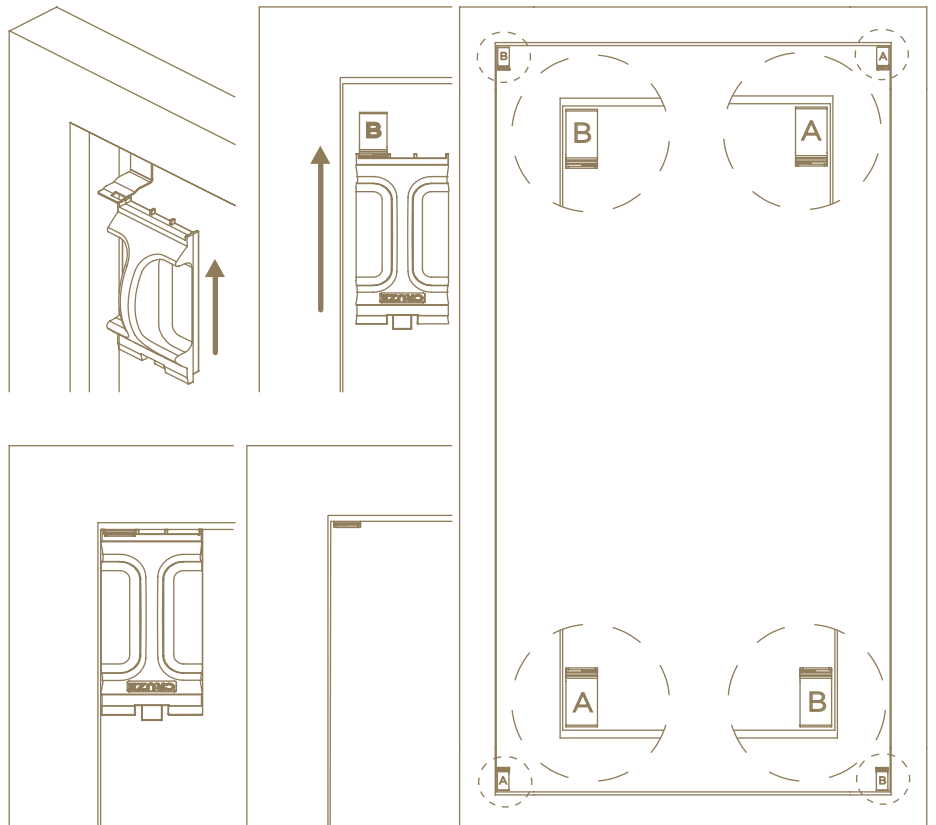
Remove contents from the packaging and lay out.



STEP 2

Using the multi-tool, place beading brackets A & B within the fork features on the multi-tool, this will help guide the bracket into the corner. Ensure that the bracket goes under the rubber window seal.

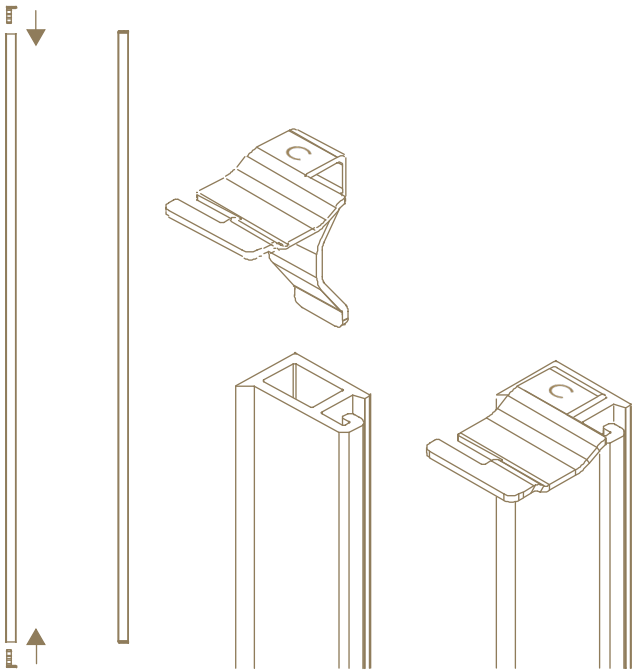
Brackets to be placed at positions shown below.



CHILDREN CAN STRANGLE IF A SAFETY DEVICE IS NOT INSTALLED. ALWAYS USE A SAFETY DEVICE TO KEEP CORDS AND CHAINS OUT OF REACH OF CHILDREN

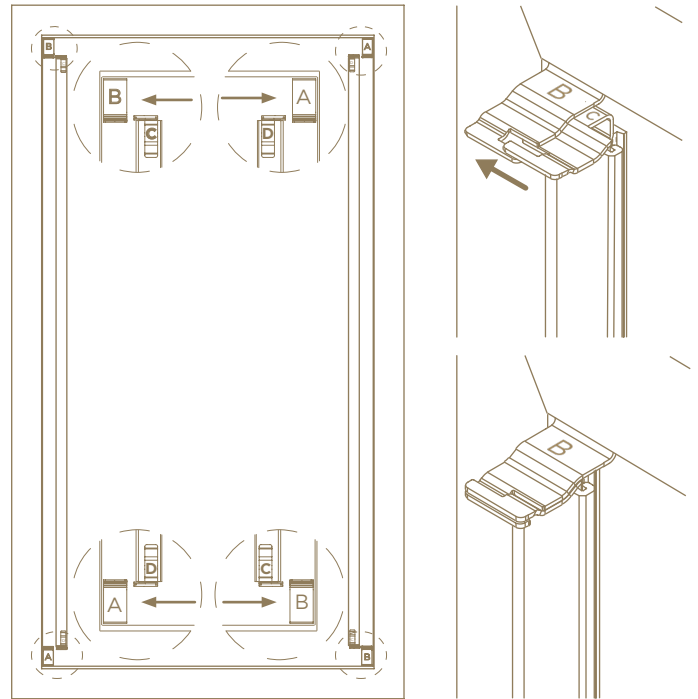
STEP 3

Place side guide brackets C & D with the cut-out facing out towards the window frame inside each side guide as shown.



STEP 4

Slot brackets C & D into the corresponding beading bracket to hold the side guide in place as shown below.

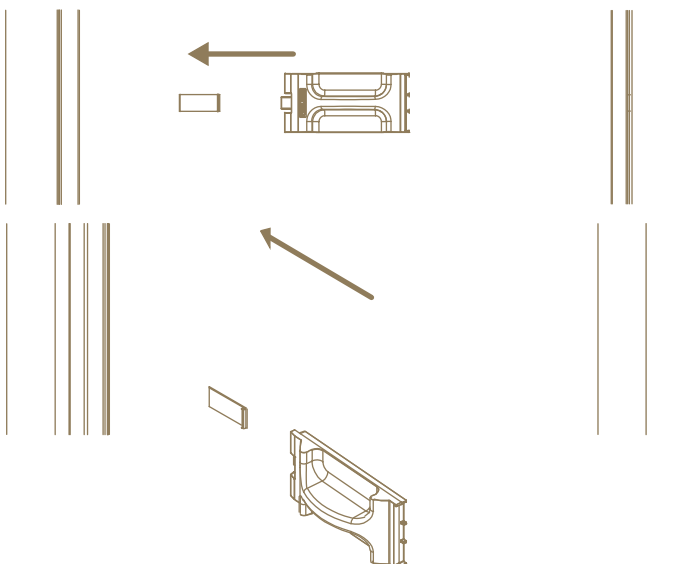


STEP 5

To secure the side guides further, use the side guide clips.

To push the clip into place use the multi-tool as shown.

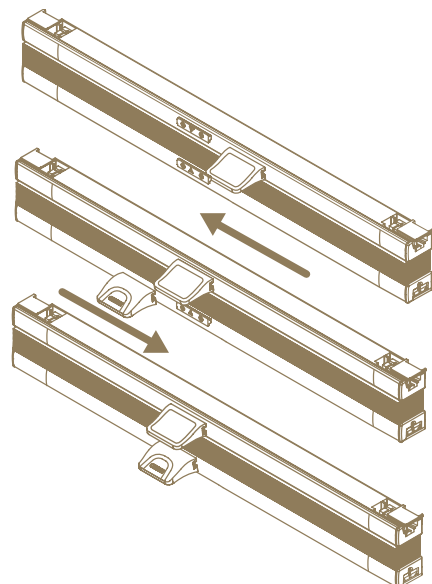
RECOMMENDATION: One side guide clip (on each side) to be used at even spacings if drop is equal to/more than 700mm. For bigger drops more clips will be supplied. These need to be spaced evenly on each side guide.



STEP 6

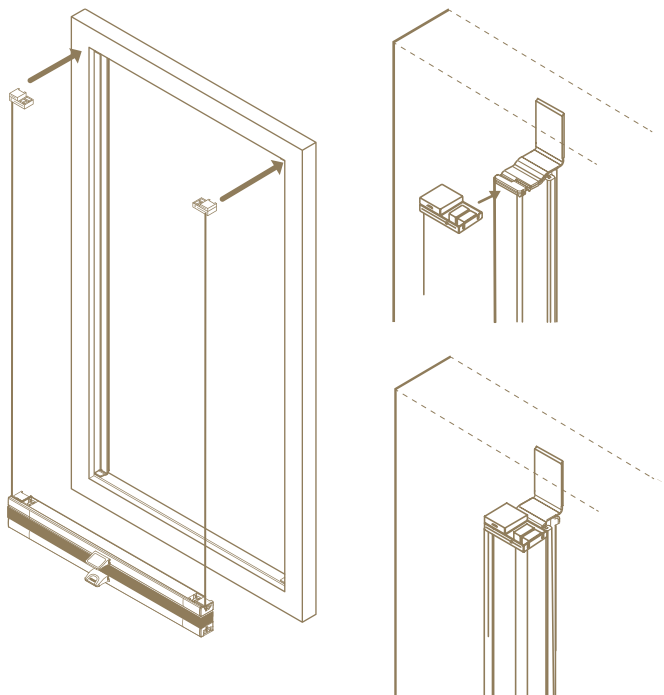
When attaching the handles, push flush with the headrail and slide until it has covered the screw block.

NOTE: Cruze logos need to face the same direction as the arrows on the screw blocks.



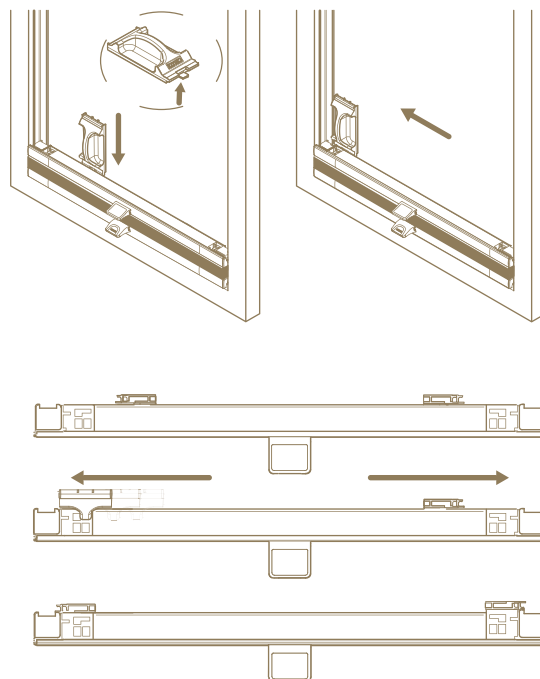
STEP 7

Take the top left and right cord end caps as shown and place them over the beading brackets.



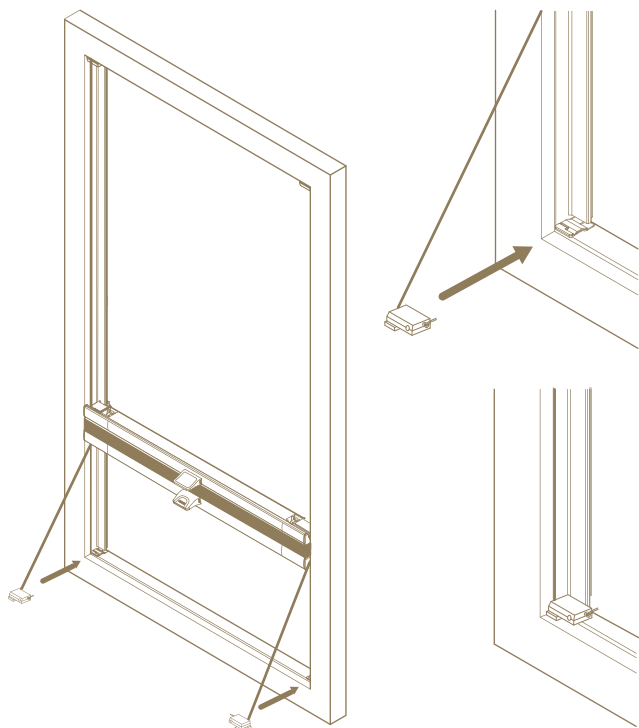
STEP 8

For the top rail, using the multi-tool again, push the step profile end into the side clip and push towards the side guide until a click is heard.



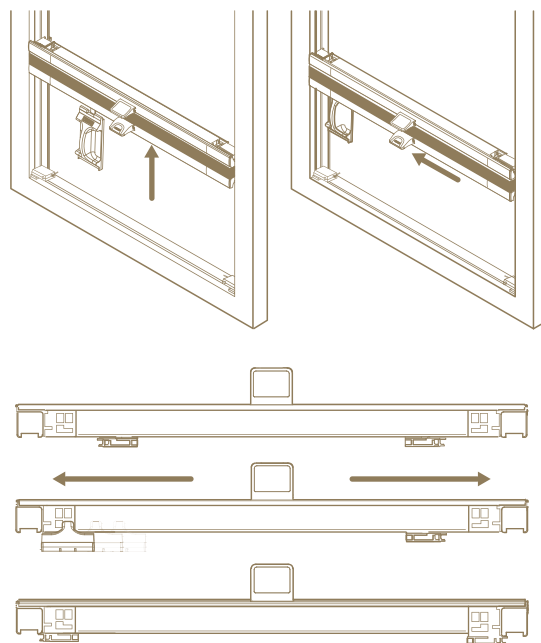
STEP 9

Take the bottom left and right cord end caps as shown and place them over the beading brackets.



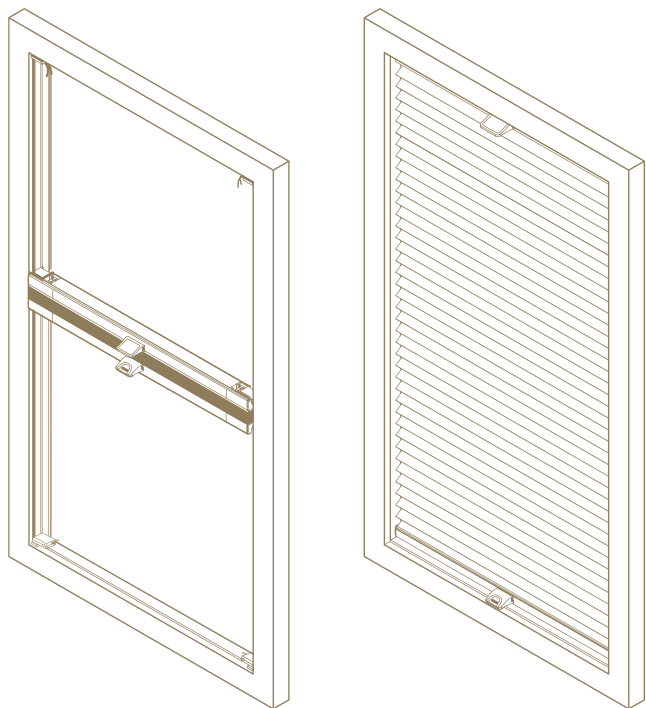
STEP 10

For the bottom rail, using the multi-tool again, push the step profile end into the side clip and push towards the side guide until a click is heard.



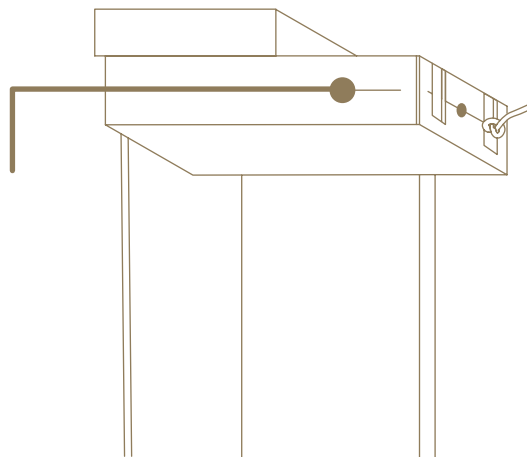
CORD RE-TENSIONING

Blind is ready to use.



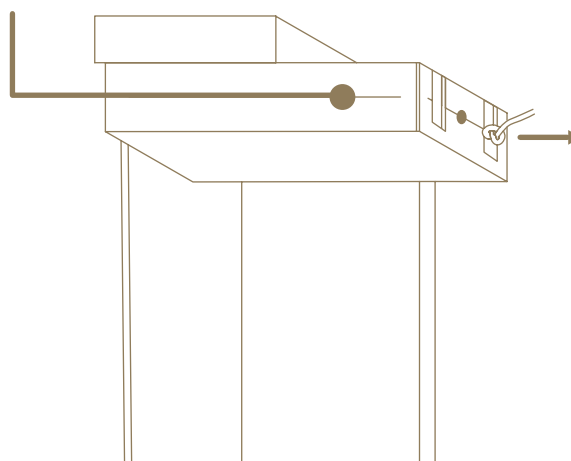
STEP 1

Grab the end of the cord and loosen grub screw from the front using 1.5mm Allen key.



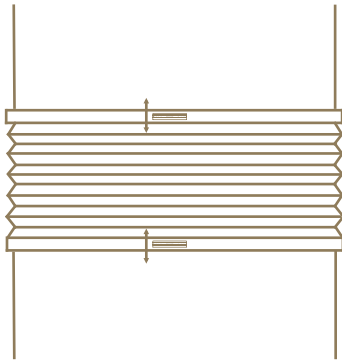
STEP 2

Pull the cord to required tension and tighten the screw back again until cord is secured.



PLEASE READ THE INSTRUCTIONS BEFORE OPERATING THIS PRODUCT

OPERATION



To raise blind: Lift handle upwards until the blind reaches desired height.

To lower blind: Pull handle downward until blind reaches desired height.

MAINTENANCE

The product is maintenance free however we recommend that regular visual checks are completed to ensure that no components have been damaged, which could result in operating difficulties and/or cause a safety risk.

If any maintenance is required we recommend that the work is carried out immediately, by a reputable blind company.

We recommend opening and closing your blind regularly to maintain the pleats in the fabric. Recommended that pleated blinds should be stacked overnight, at least once a week to maintain their pleat and shape.

CLEANING

To prevent blinds from becoming dirty, the blinds should be cleaned regularly with a feather duster.

PATENT

European Patent No 39924411.

INSTALLATION VIDEO

Scan QR for installation video.



make it safe

BBSA
BRITISH BLIND & SHUTTER ASSOCIATION

WARNING

Young children can be strangled by loops in pull cords, chains, tapes and inner cords that operate the product.

To avoid strangulation and entanglement, keep cords out of the reach of young children. Cords may become wrapped around a child's neck. Move beds, cots and furniture away from window covering cords.

Do not tie cords together. Make sure cords do not twist and create a loop.

