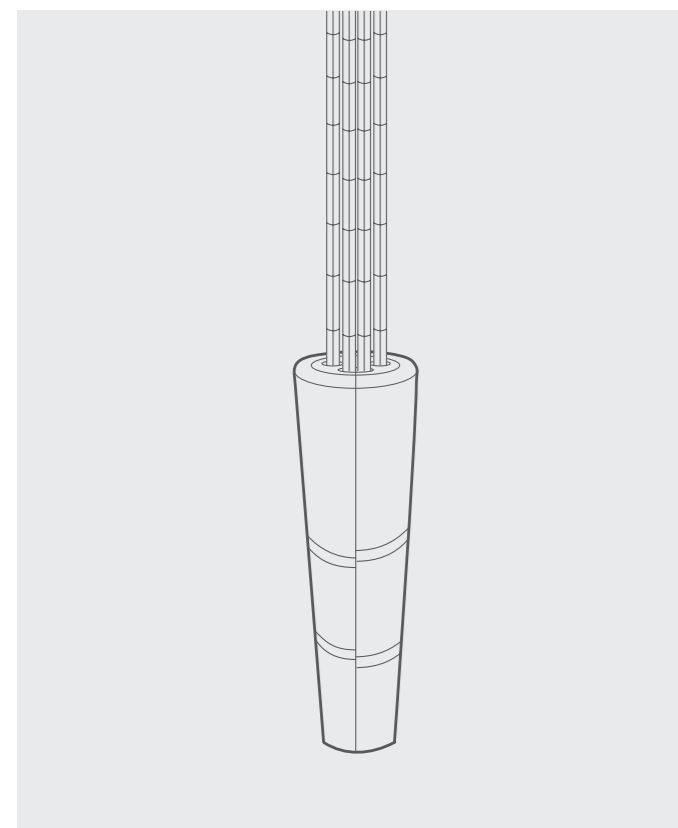
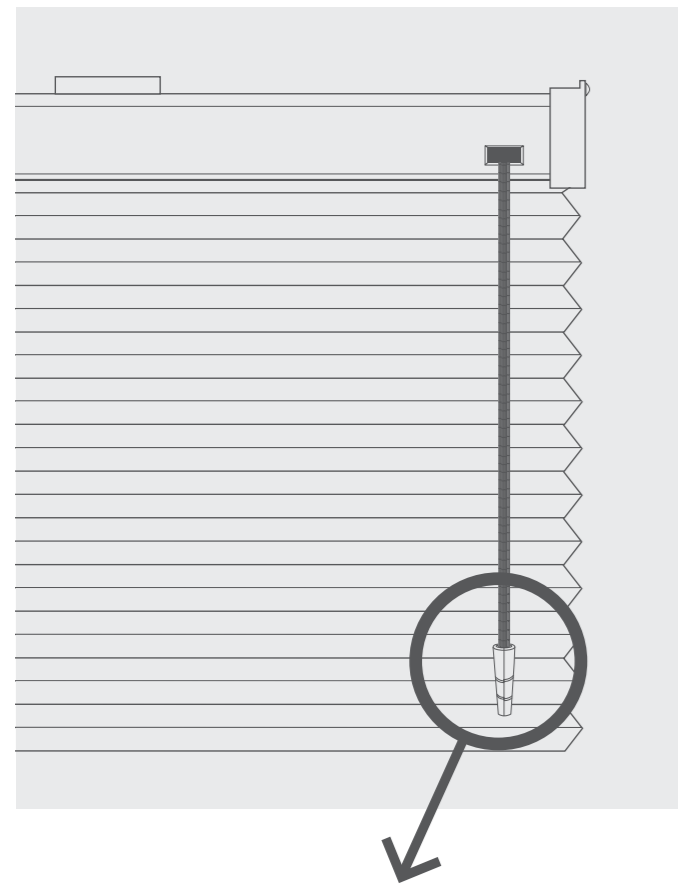


## BREAKAWAY SAFETY TASSEL

Breakaway safety tassel is pre-fitted to the lift cords so that when a horizontal force is applied to the cords entering the tassel it safely breaks away eliminating any hazardous loops.



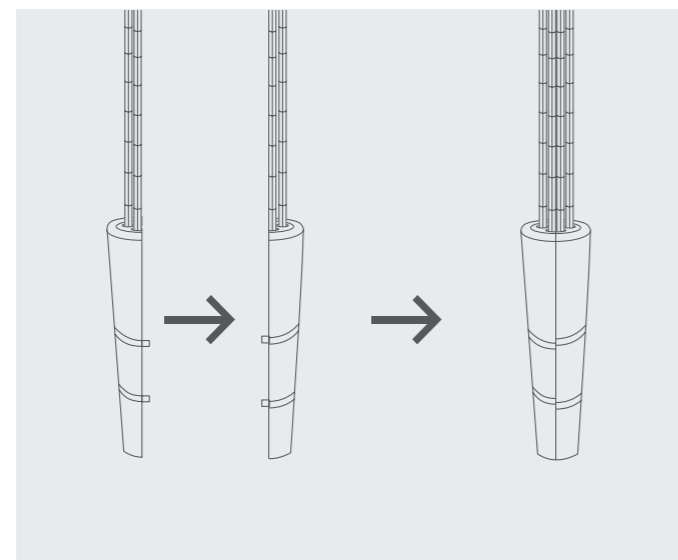
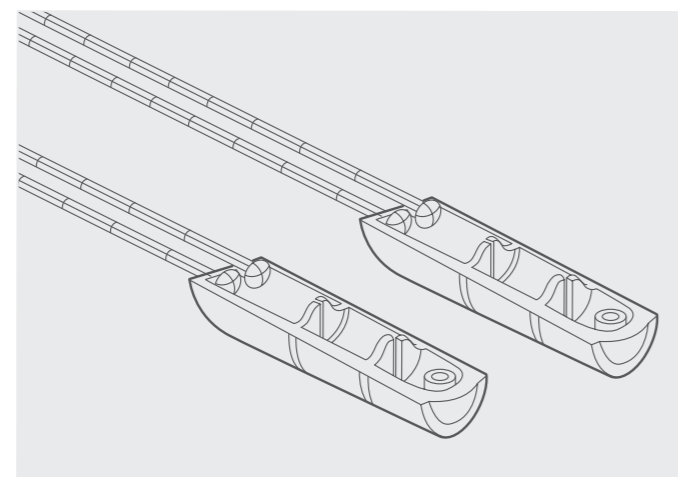
If the breakaway safety tassel is pulled apart:

Untangle and untwist cords.

**For 2 cords:** Press the breakaway safety tassel together until it is fully closed.

**For 3 or more cords:** Place the loose cord in the opening in one half of the breakaway safety tassel and press the breakaway safety tassel together until it is fully closed.

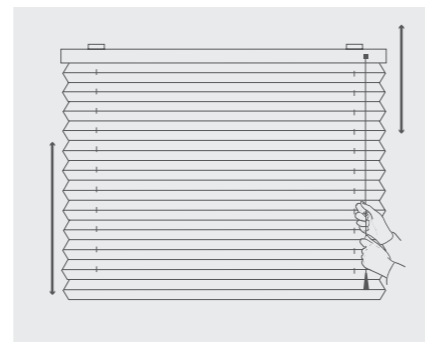
If there are any doubts that the breakaway safety tassel has not been re-attached correctly it can be tested by placing your arm between the cords and pressing downwards. The breakaway safety tassel should break apart with minimal force, if it does not breakaway tie cords out of reach of children and contact a reputable blind company to repair the blind.



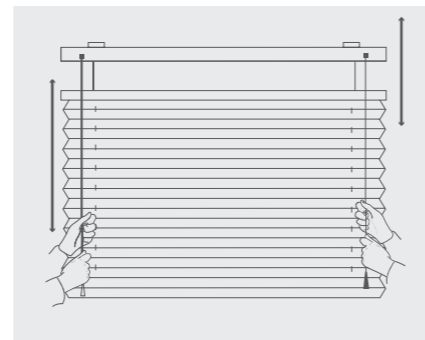
## PLEASE READ THE INSTRUCTIONS BEFORE OPERATING THIS PRODUCT

### OPERATION

#### BOTTOM UP



#### TOP DOWN BOTTOM UP



**To lower blind:** Gently pull the lift cord downwards until cord lock releases it.

**NOTE:** For Top Down, Bottom Up option the bottom profile needs to be operated first followed by the middle one.

**To raise blind:** Pull lift cord downward until blind reaches desired height.

**NOTE:** For Top Down, Bottom Up option the middle profile needs to be operated first followed by the bottom one.

**To lock cords:** Pull the lift cord away from the blind and the cord lock will lock automatically.

### MAINTENANCE

The product is maintenance free however we recommend that regular visual checks are completed to ensure that no components have been damaged, which could result in operating difficulties and/or cause a safety risk.

If any maintenance is required we recommend that the work is carried out immediately, by a reputable blind company.

We recommend opening and closing your blind regularly to maintain the pleats in the fabric. Recommended that pleated blinds should be stacked overnight, at least once a week to maintain their pleat and shape.

### CLEANING

To prevent blinds from becoming dirty, the blinds should be cleaned regularly with a feather duster.



**make it safe**

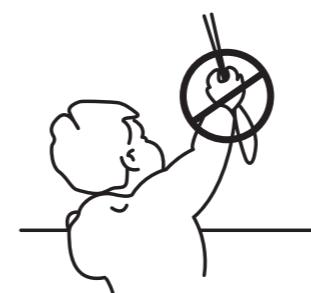
**BBSA**  
BRITISH BLIND & SHUTTER ASSOCIATION

### WARNING

Young children can be strangled by loops in pull cords, chains, tapes and inner cords that operate the product.

To avoid strangulation and entanglement, keep cords out of the reach of young children. Cords may become wrapped around a child's neck. Move beds, cots and furniture away from window covering cords.





Do not tie cords together. Make sure cords do not twist and create a loop.



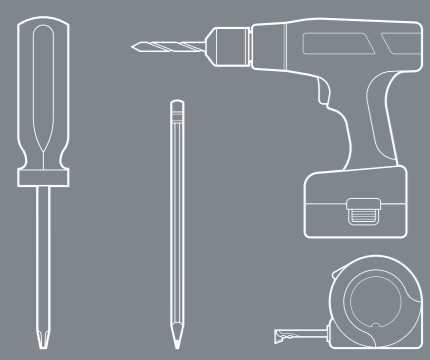
## SOFTCELL J-SERIES

Free Hanging Bottom Up,  
Free Hanging Top Down, Bottom Up.

**YOU SHOULD HAVE**

-  Top Fix Bracket
-  Face Fix Bracket
-  Nut & Bolt
-  Safety Device

**YOU WILL NEED**



- Screwdriver
- Pencil
- Drill
- Tape Measure

**STEP 1**

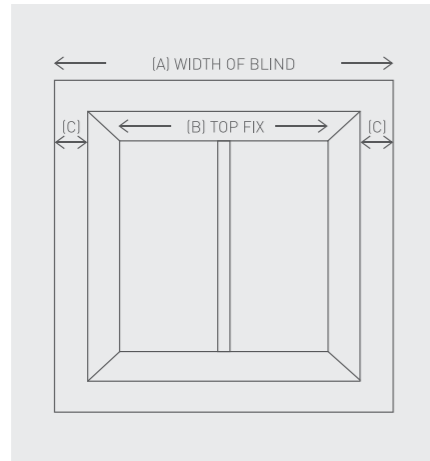
The installation of this product should be conducted by someone competent in DIY.

**OUTSIDE RECESS**

If the blind is fitted outside the window, ensure that measurement C is the same. Follow instructions for FACE FIXING. To calculate C (A-B)/2.

**INSIDE RECESS**

TOP FIX to the lintel. FACE FIX bracket to the window frame.

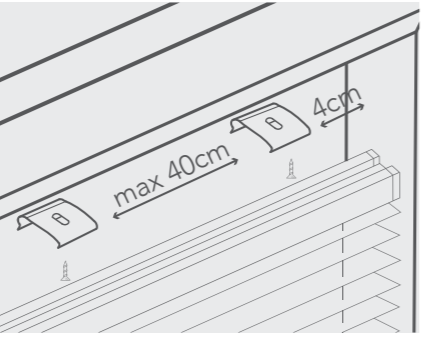
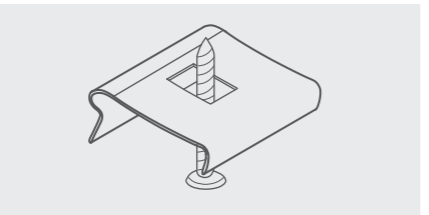


**STEP 2**

The installation height of this blind must not be less than 1500mm from the floor.

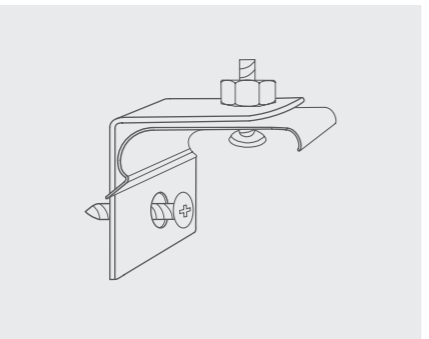
**TOP FIXING**

Measure and mark the distance between the wall and the back of the bracket, allowing for obstructions like handles that protrude into the recess area. The installation brackets (top and face fix) are positioned evenly along the width of the blind. Hold each bracket into place and mark the hole positions. Please ensure fixings are suitable for the wall/surface to which you are mounting the brackets.



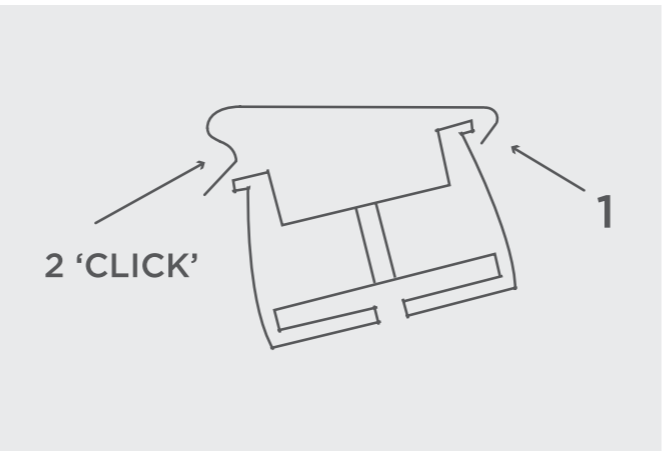
**FACE FIXING**

If face fixing the blind, use the additional L-shaped bracket and attach spring bracket to it. Use provided nuts and bolts as shown.



**STEP 3**

Feed the headrail into the brackets as shown. Guide the front of the headrail in first followed by the back. You will hear a "click" when the blind is secured.



**STEP 4**

**SAFETY DEVICE**

Cord safety cleat - The safety cleat shall be installed as close to the headrail as possible and in all cases not less than 1500mm from the floor.

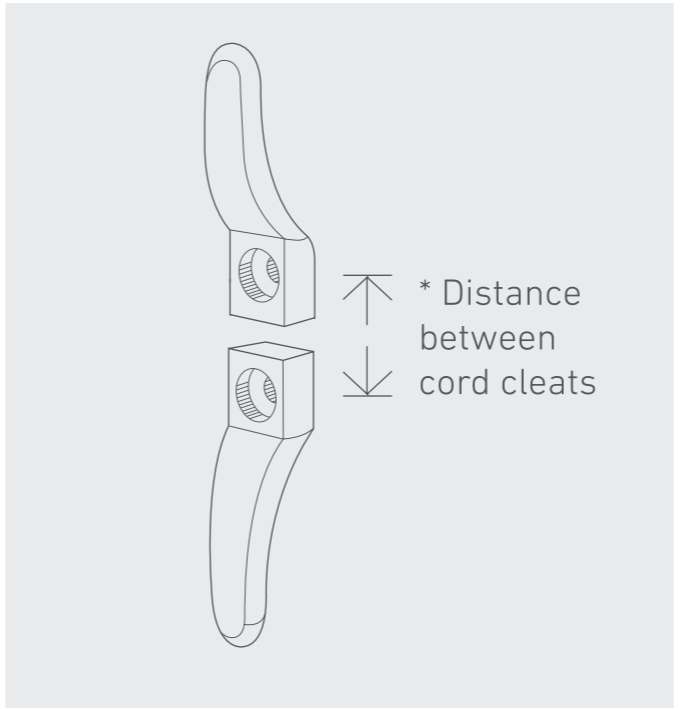
The Cord must be fully accumulated around the safety cleat(s) when the blind is not in use.

Use the table below to determine the distance required between the cleats to fully accumulate the cords when the blind is fully raised.

Drop of Blind	*Distance between cord cleats (centre to centre)
1-1000mm	100mm
1001-2000mm	150mm
2001-3000mm	300mm

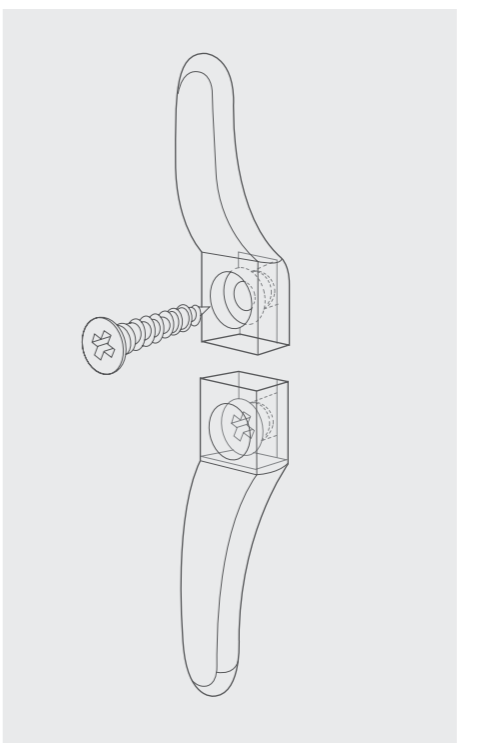
Place the safety cleat in the desired position on the wall and mark the positions of the holes with a pencil.

(Note: Based on cord up to 2.8mm, 17m can be accumulated in total.)



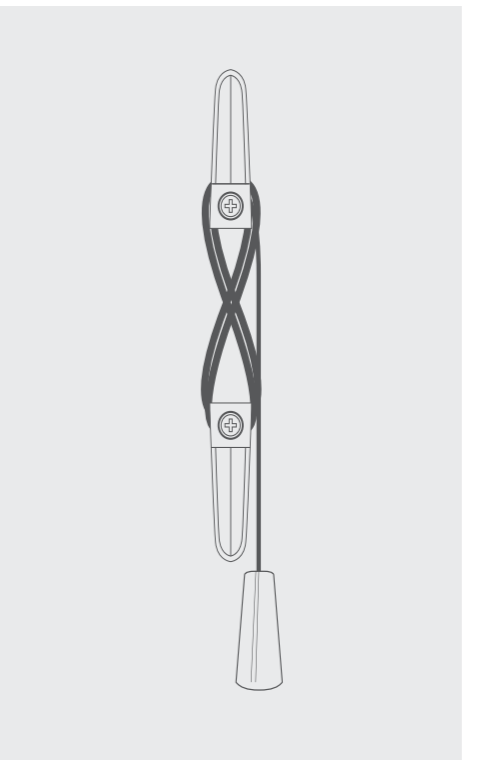
Mark the hole positions and drill as required.

Use suitable screws to attach the safety cleat securely to the wall.



Wrap the cords around the cord cleats in a figure of 8.

When the cords are fully accumulated ensure they are secure so when any cord is pulled no excess cord is released.



**CHILDREN CAN STRANGLE IF A SAFETY DEVICE IS NOT INSTALLED. ALWAYS USE A SAFETY DEVICE TO KEEP CORDS AND CHAINS OUT OF REACH OF CHILDREN.**