

Measuring Instructions: Cassette Roller Blinds & Electric Cassette Roller Blinds For French Doors

Useful Information & Tips

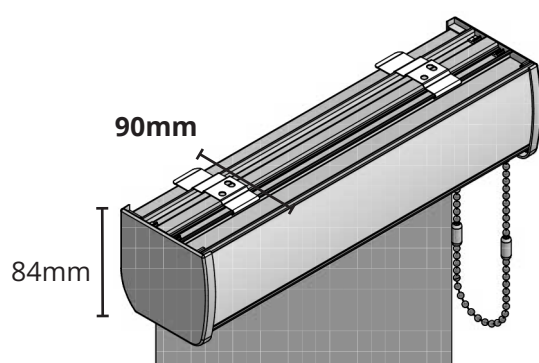
Use a metal tape measure to ensure accurate measurements.

Fabric on a roller blind is 40mm narrower than the full cassette size meaning that on french doors where two blinds are fitted next to each other the gap will be approximately 45mm.

Bracket Sizes

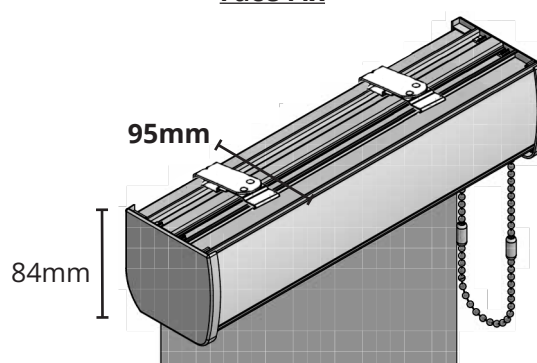
There are two different brackets for cassette roller blinds. **Top fixed** where you screw the blind into the top of the recess or **face fixed** where the brackets are screwed facewards into the doors or door frame. Use the information below to determine where the brackets can be fitted.

Top Fix



Cassette size allowance with bracket = **90mm**

Face Fix



Cassette size allowance with bracket = **95mm**

French Doors



French doors have two doors that open inwards or outwards.

Inwards Opening Doors

Check there is room for the brackets to be fitted into the underside recess or onto the outer door frame above the doors and that the doors can still open. If not you will need to fit the blinds onto the doors.

Outwards Opening Doors

As the doors will not restrict the blinds you can fit them into the recess, the door frame or the doors.

Consider the bracket sizes and fixing positions below to make the best decision for your situation.

Traditional french doors can be covered with either one or two blinds depending on where you have chosen to fit them.

One blind will be simpler to operate, however fabric choice will be more limited to the width of the fabric roll as they are often wider than 200cm.

Two blinds will fit in with the frames of the doors and allow for more functional light control with each blind being operated separately.

Measuring for fitting into the recess or the outer door frame

One blind

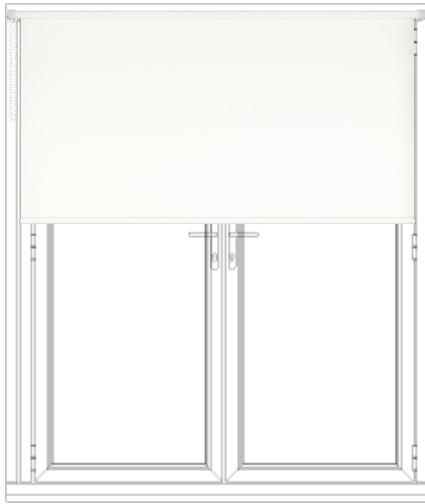
Width

Measure the wall to wall width of the recess at the top where the brackets will be fitted. The finished cassette side will be 5mm narrower.

Drop

Measure from where the brackets are to be fitted to where the fabric will finish.

Order as recess size.



Two blinds

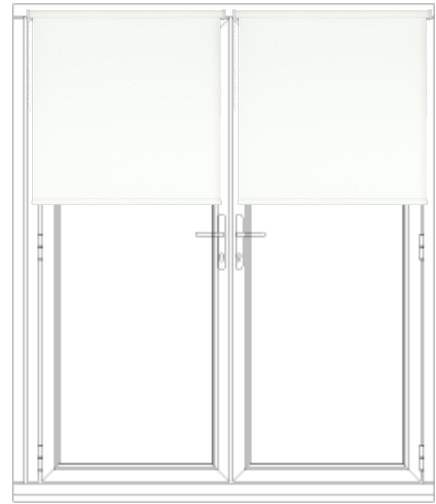
Width

Measure the wall to wall width of the recess at the top and divide evenly into two. There will be approximately a 45mm gap which should be in front of the door frame. The finished cassettes will be 5mm narrower.

Drop

Measure from where the brackets are to be fitted to where the fabric will finish.

Order both blinds as recess size.



Measuring for fitting onto the doors



Width

Measure the required width the fabric needs to be ensuring that it sits inside the handle, making sure it isn't touching it.

The finished cassette width of the blind will be approximately 40mm wider than the fabric, so ensure there is enough fitting space for the brackets.

Drop

Measure up to 2 inches below the glass to ensure its covered.

Order as EXACT SIZE.