

# Measuring Instructions: Cassette Roller Blinds & Electric Cassette Roller Blinds For Sliding Doors

Our roller blinds for sliding doors are designed to be fitted **inside the recess** of the door reveal. The blinds are not intended to be screwed into the doors themselves.

## Useful Information & Tips

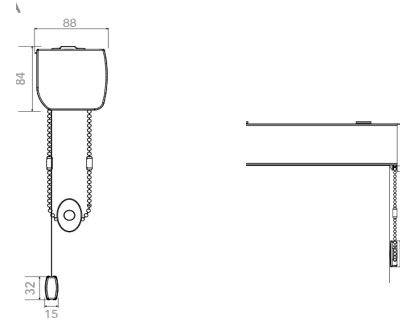
Use a metal tape measure as cloth ones can be inaccurate.

The overall width of roller blinds including brackets is approximately 40mm wider than the fabric.

Make sure the recess is deep enough taking door handles into account allowing 90mm for the depth of the cassette with the bracket.

## Cassette Dimensions

A. System 40® standard metal bracket top fix & 70mm cover. B. System 40® standard metal bracket top front view.



## Door Configurations

Sliding doors come in various configurations, most commonly **2/3/4 doors**. However to avoid the control chains hanging down we only recommend a maximum of 2 blinds, one left and one right hand control.

Decide if you want:

- a) Blinds of **equal size** to each other to cover the recess space
- or**
- b) Blinds of **different sizes** to each other to cover the recess space.

### a) Equal sized blinds

#### Width

Measure the overall recess space from wall to wall then divide by the number of blinds you require then **subtract 5mm** from each blind size.  
e.g. Overall recess 3500mm with 4 doors. 2 blinds required =  $3500/2 = 1750\text{mm} - 5\text{mm} = 1745\text{mm}$  each blind

#### Drop

Measure from the top inside recess where the brackets are fitted to the floor.

Order each blind as **EXACT SIZE**.

### b) Different sized blinds

#### Width

Use a pencil to place a small mark on the recess where each bracket will be fitted, then measure the size between each mark.

#### Drop

Measure from the top inside recess where the brackets are fitted to the floor, do not make any deductions.

Order each blind as **EXACT SIZE**.

See the illustration on the following page.