

GRIP FIT™

Fitting & Operating Instructions

For Use with Roller Systems 32® & 40®

CHECKING YOUR WINDOWS ARE COMPATIBLE WITH GRIP FIT™

Is your recess solid?

Because the bracket system pushes out with up to 60kg of force, your recess needs to be solid. We have tested a whole host of substrates including brick, tile, plaster board and wood which are all suitable. However if your recess will move when pushed for example if you have plasterboard with nothing behind it, then your window won't be suitable for Grip Fit™.

Is your recess deep enough?

The cassette is a total of 8cm deep, so your recess must be at least this deep to house the product.

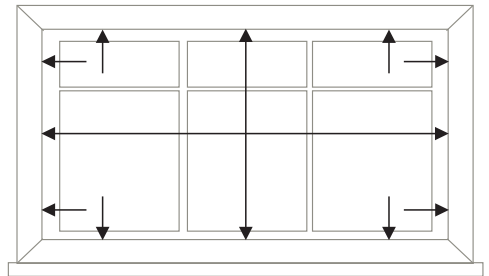
Are your walls parallel?

The Grip Fit™ roller blind grips onto the side of your recess. As a result of this your walls need to be parallel to each other and not taper forward or back where you are going to install the blind as this would stop the rubber compound from making contact with the wall fully.

HOW TO MEASURE FOR GRIP FIT™

It is important to use a steel tape measure as fabric tapes can stretch over time.

- Measure the depth of your recess. It needs to be at least 8cm deep to accommodate the Grip Fit™ cassette.
- Check the walls are solid by pushing on them with your hand. If the walls don't move or bend when you push, then they are suitable.
- Measure the width of your recess at the top of the window. It is important to measure to the nearest mm.
- Measure the drop of the window in three places and note down the longest drop.



FITTING GRIP FIT™

Once you have opened your blind, simply raise the cassette into your recess at an angle, level it out and fold the bracket levers down to lock in place. Now you can insert the blind into the cassette idle end first, Slide out the bracket covers and operate your blind.

The system works using a specially developed rubber compound and a clever bracket system to push out on your recess.

Measuring Instructions: Grip Fit™ Roller Blinds For Sliding Doors

Grip Fit™ roller blinds for sliding doors are designed to be fitted **inside the recess** of the door reveal. The blinds are not intended to be screwed into the doors themselves.

Useful Information & Tips

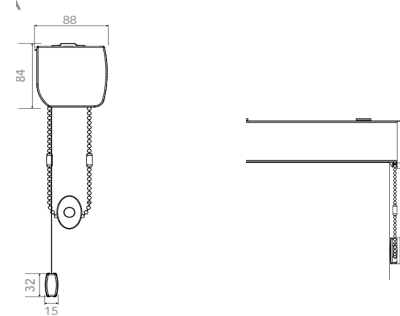
Use a metal tape measure as cloth ones can be inaccurate.

The overall width of roller blinds including brackets is approximately 40mm wider than the fabric.

Make sure the recess is deep enough taking door handles into account allowing 80mm for the depth of the cassette

Cassette Dimensions

A. System 40® standard metal bracket top fix & 70mm cover. B. System 40® standard metal bracket top front view.



Door Configurations

Sliding doors come in various configurations, most commonly **2/3/4 doors**. However Grip Fit™ roller blinds are only available upto 200cm wide.

Drop

Measure from the top inside recess where the brackets are fitted to the floor, do not make any deductions.

Order each blind as **EXACT SIZE**.