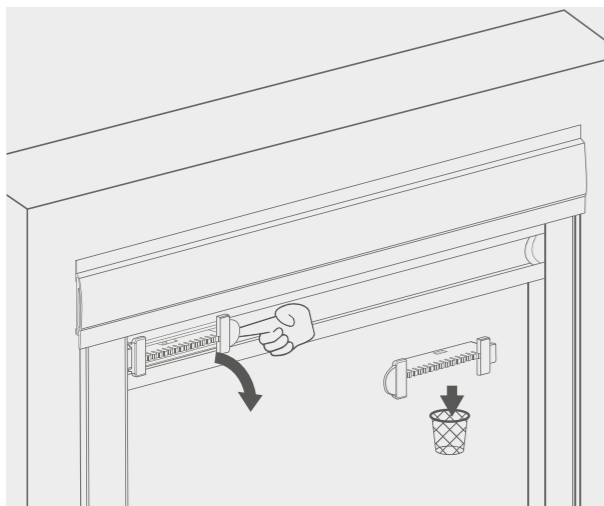


**STEP 7**

Remove the red cord retainers, unwind the cord and dispose of the cord retainers.

**STEP 8**

Pull cord to bottom of side channel and secure cord stop in the locking mechanism.

Trim excess cord to 1.5cm once the blind is working correctly.

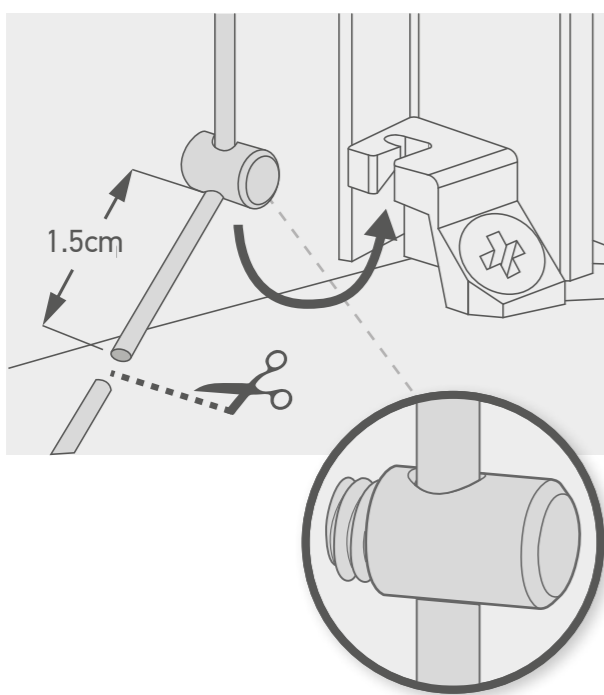


Fig 8A: Cord stop

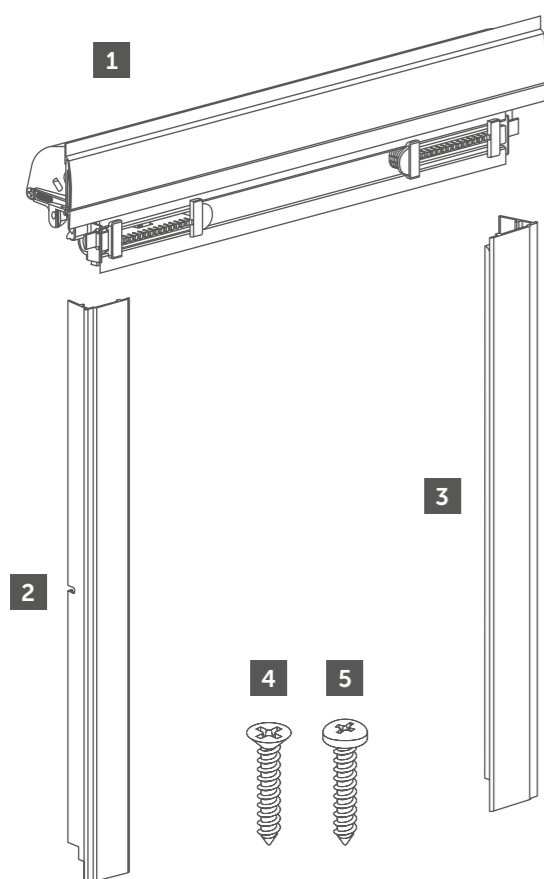
**ADDITIONAL INFORMATION**

The blind is supplied pre-tensioned however, should this need adjusted, please change as follows:

1. Use the 2mm allen key supplied to adjust the cord stops (see fig 8A).
2. If the blind does not stay in position or raises on its own accord, add tension to the cords by adjusting the cord stop.
3. If the blind is difficult to open or close, adjust the position of the cord stop by reducing the tension ensuring the bottom bar is level.
4. If the bottom bar is not level adjust the cord stop tension. To do this, remove it from locking mechanism and adjust accordingly.

**ROOF WINDOW BLINDS**

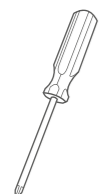
## BLIND CONTENTS



- 1** Headbox
- 2** Left side channel
- 3** Right side channel
- 4** 4 x countersunk screws
- 5** 2 x pan head screws (optional)

### TOOLS REQUIRED

Screw driver



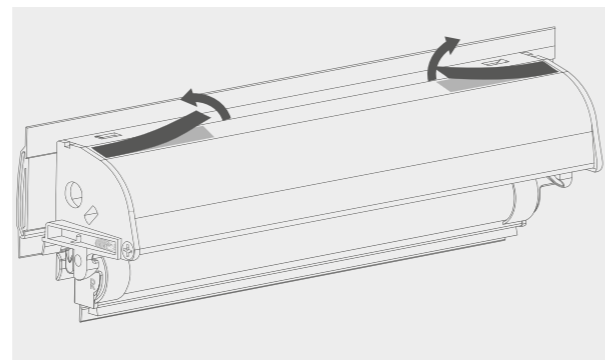
2mm Allen Key  
(included)



The installation of this product should be conducted by someone competent in DIY.

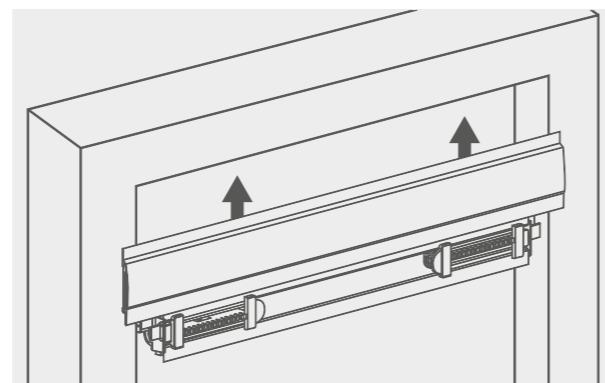
## STEP 1

Peel the backing from the red double sided tape on the headbox.



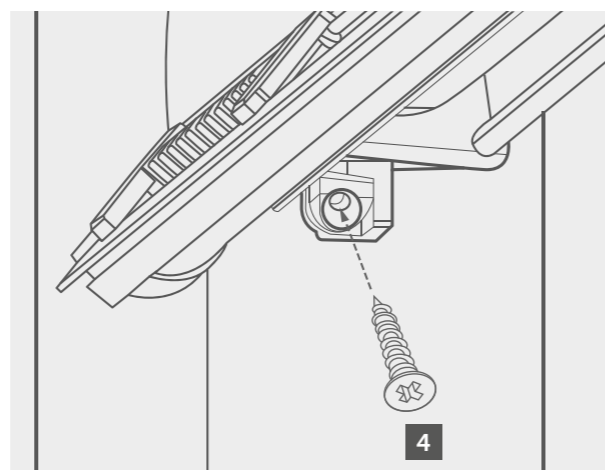
## STEP 2

Secure headbox to top of window using double sided tape.



## STEP 3

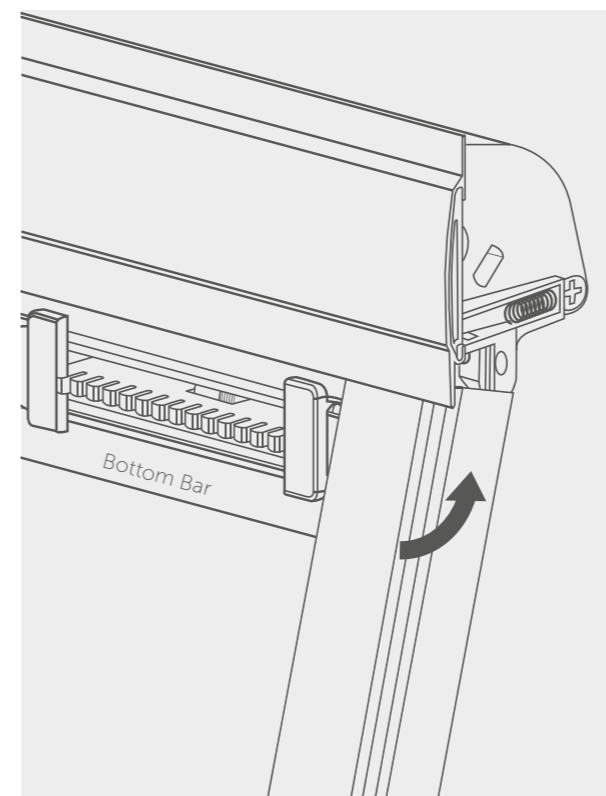
Secure headbox to window frame at each side using countersunk screws.



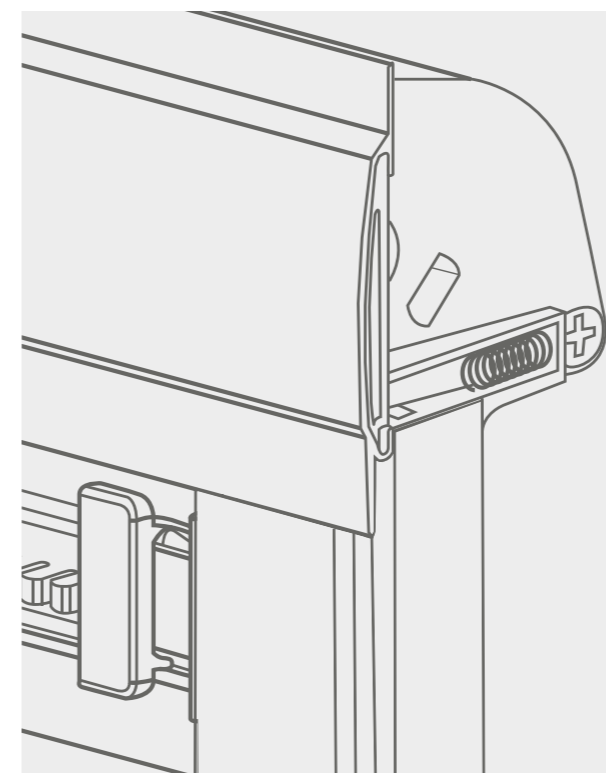
## STEP 4

Slide the right side channel at a 30° angle onto the bottom bar end cap to ensure position under the headbox lip.

Push the lower end of the side channel into position against the edge of the window.

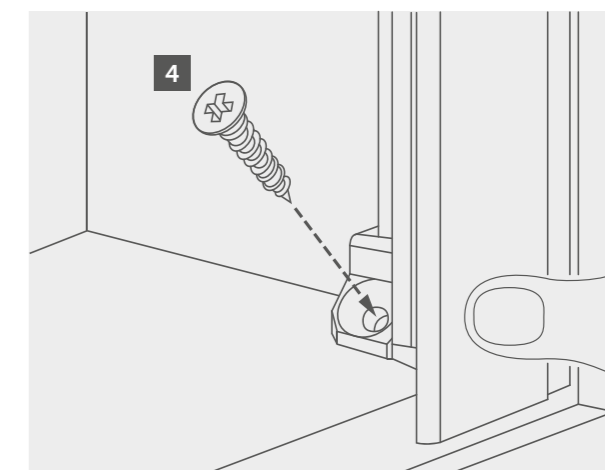


Final position



## STEP 5

Secure the side channel into position using the countersunk screws provided.



REPEAT STEPS 4 + 5 FOR LEFT SIDE CHANNEL.

## STEP 6

For larger windows (04 or bigger) additional fixing pan head screws are supplied.

